

# H-Line

## VHS.K10, Shackle diameter 10mm



**Application:** For universal use Shackle can be completely removed from the housing when the key is turned to the open position. Shackle is pushed in the housing to lock. Key retraction in the locked position only.

**Specification:**

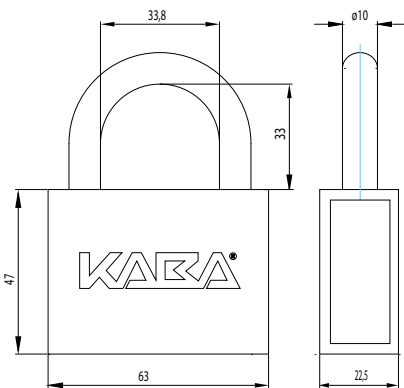
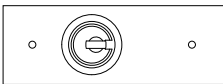
Housing made of nickel plated brass 63 x 47 x 22.5 mm (L x H x W)  
 Shackle diameter 10mm, clear height 33mm, clear width 33.8mm  
 Reversible key made of nickel silver

**Included with the padlock:**

2 reversible keys with plastic clip in dark red for Kaba penta, in dark blue for all other systems  
 Security card for owner registration and ordering duplicate keys  
 Operation and maintenance instructions

**Premier Systems:**(6)36 Kaba penta (7)37 Kaba quattro pluS (12)32 Kaba gemini pluS

|                             |                                  |                               |
|-----------------------------|----------------------------------|-------------------------------|
| Systems with expired patent | 4 Kaba quattro S <sup>2)</sup>   | 2 Kaba gemini S <sup>1)</sup> |
| Legacy systems              | 3 Kaba quattro S <sup>1)</sup>   | 1 Kaba gemini S <sup>1)</sup> |
| Dealer systems              | 35 Kaba experTplus <sup>2)</sup> | 5 Kaba experT <sup>2)</sup>   |
| Legacy dealer systems       |                                  | 19 Kaba maTriX <sup>2)</sup>  |
|                             |                                  | 9 Kaba gemini T <sup>2)</sup> |



**Options:**

|     |                        |      |                          |
|-----|------------------------|------|--------------------------|
| BAZ | Construction phase key | BAZ3 | Construction phase key 3 |
|-----|------------------------|------|--------------------------|

**Order Code System**

System code.Padlock.Type.Insert surface finish.Option

Example:

5.VHS.K10.NI.AK810 = experT.padlock.type K10.insert nickel.application AK810